

ICS POSTS 2024

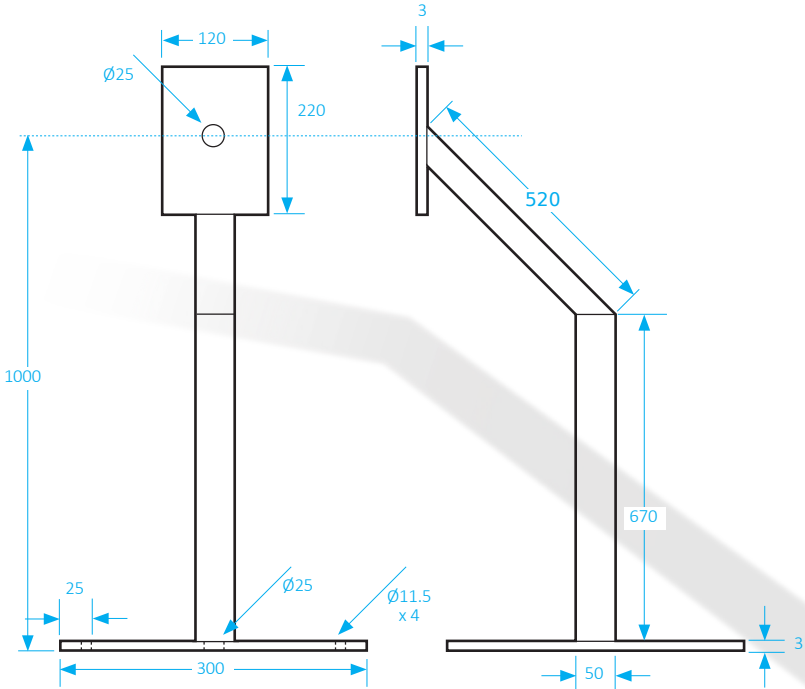


**SETTING THE STANDARD
IN ACCESS CONTROL**

Post-M-G

Steel Posts

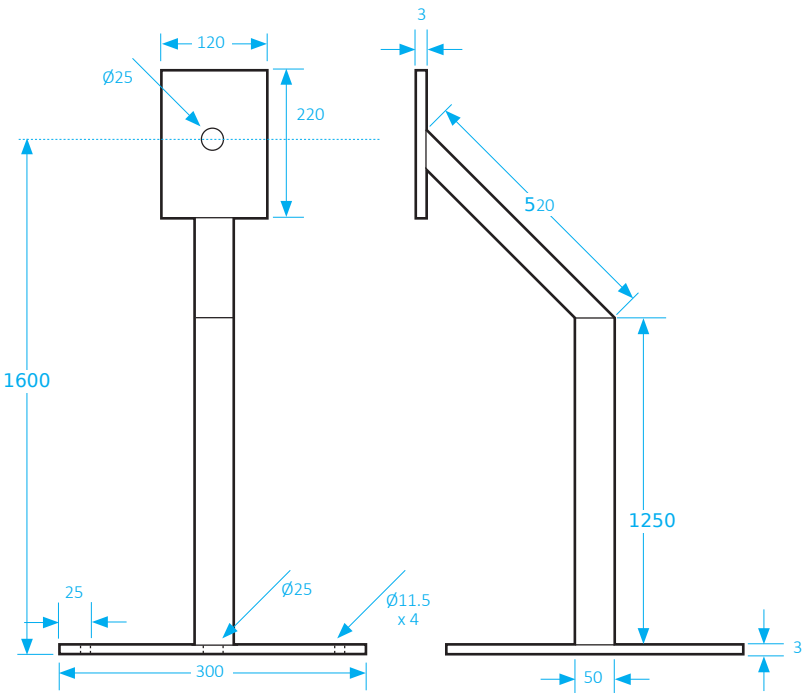
- Car or pedestrian height
- Pre-drilled cable entry
- Adaptable mounting plate
- Optional special finishes



Post-MG-P

Steel Posts

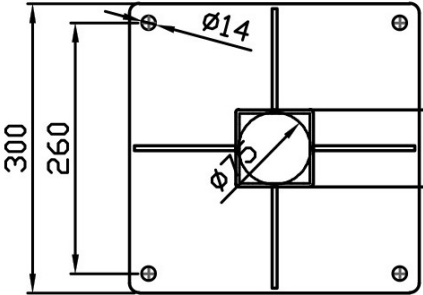
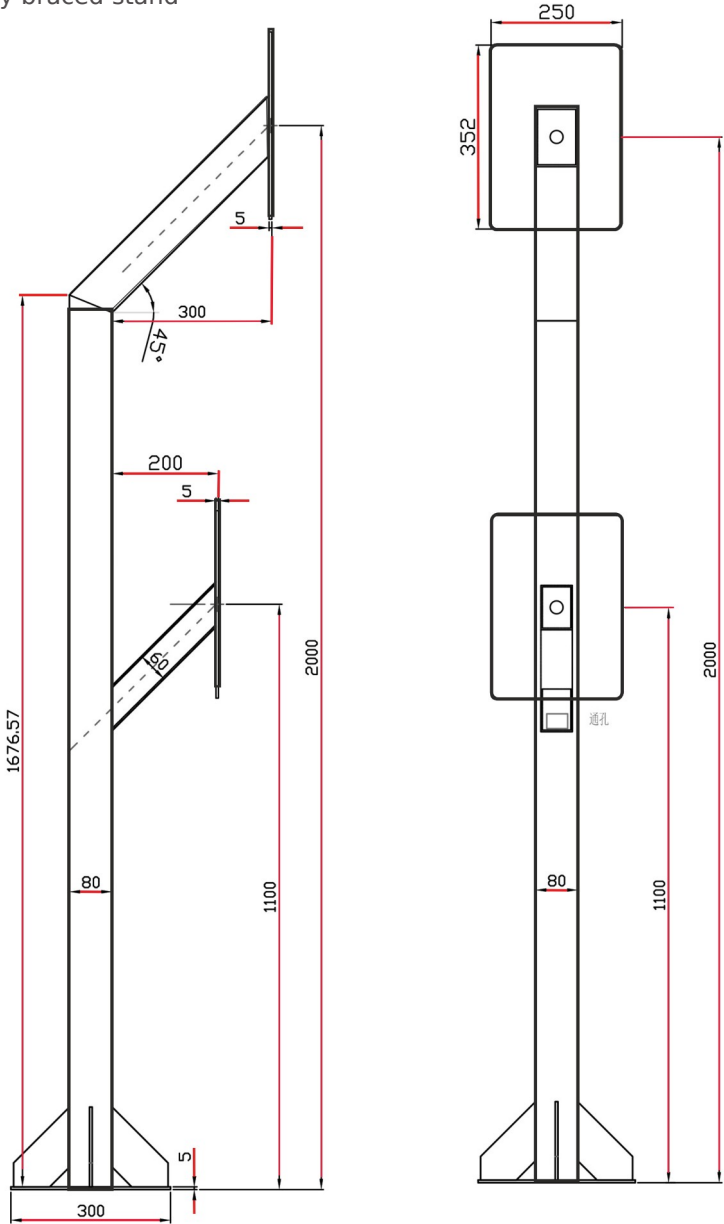
- Pedestrian height (1600mm)
- Pre-drilled cable entry
- Adaptable mounting plate
- Optional special finishes



Post-M-G-D

Steel Posts

- Car & Lorry height
- Pre-drilled cable entry
- Adaptable mounting plate
- Fully braced stand



Adaptable Mounting Plate

Fully Braced Base

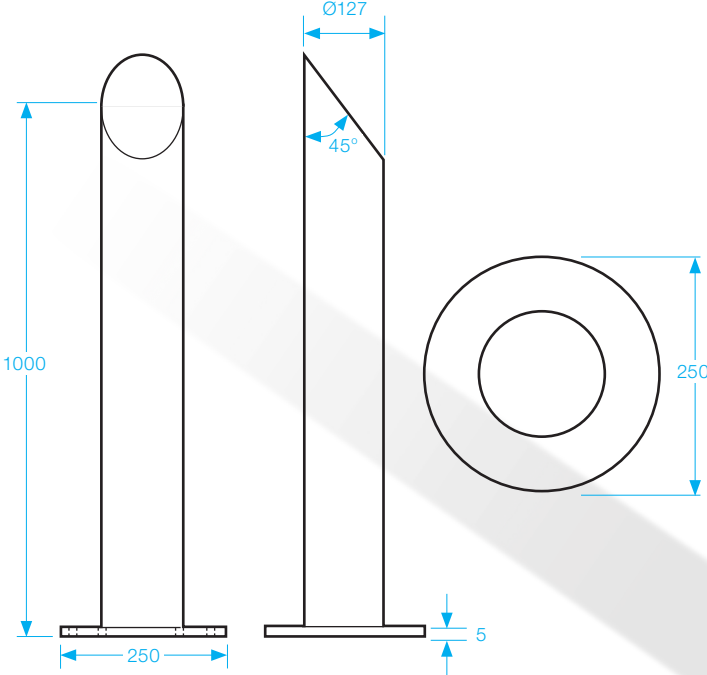
Post-SS-S-C

Stainless Steel Posts

- Car or pedestrian height
- Round
- Stainless Steel construction
- Unique interchangeable mounting



STAINLESS
STEEL



Post-SS-BG-CUT

Stainless Steel Post

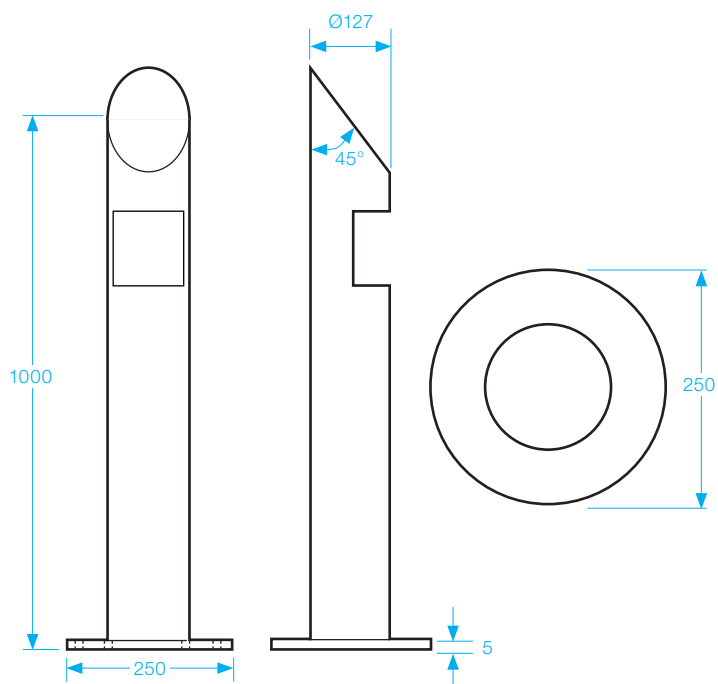
- With BGU cut-out
- Car / Pedestrian height
- Round
- Stainless Steel construction
- Unique interchangeable mounting



STAINLESS
STEEL



BGU CUT-OUT FOR
CUSTOMER FITTED
EXIT DEVICES



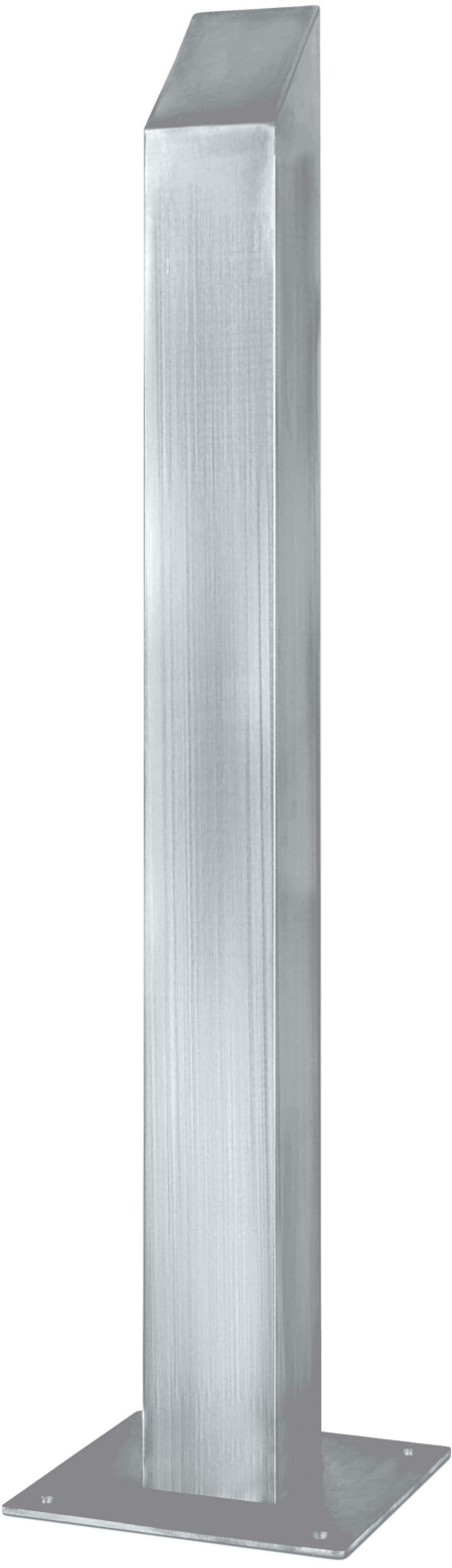
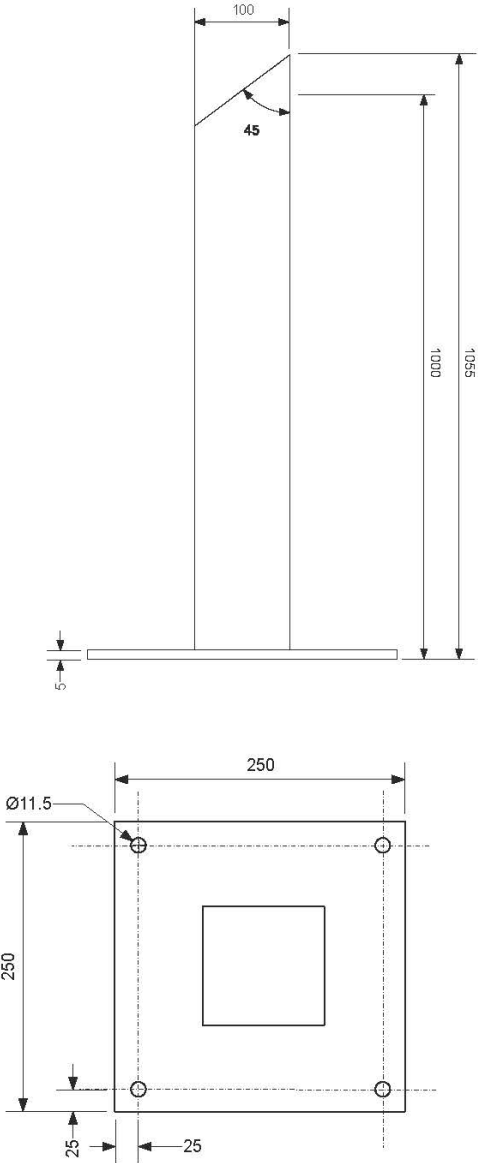
Post-SS-SQ

Stainless Steel Posts

- Car or pedestrian height
- Square
- Stainless Steel construction
- Angled top mounting



STAINLESS
STEEL



Post-SS-PED

Stainless Steel Posts

- Pedestrian height (1600)mm
- Square
- Stainless Steel construction
- 100mm x 100mm section



STAINLESS STEEL

