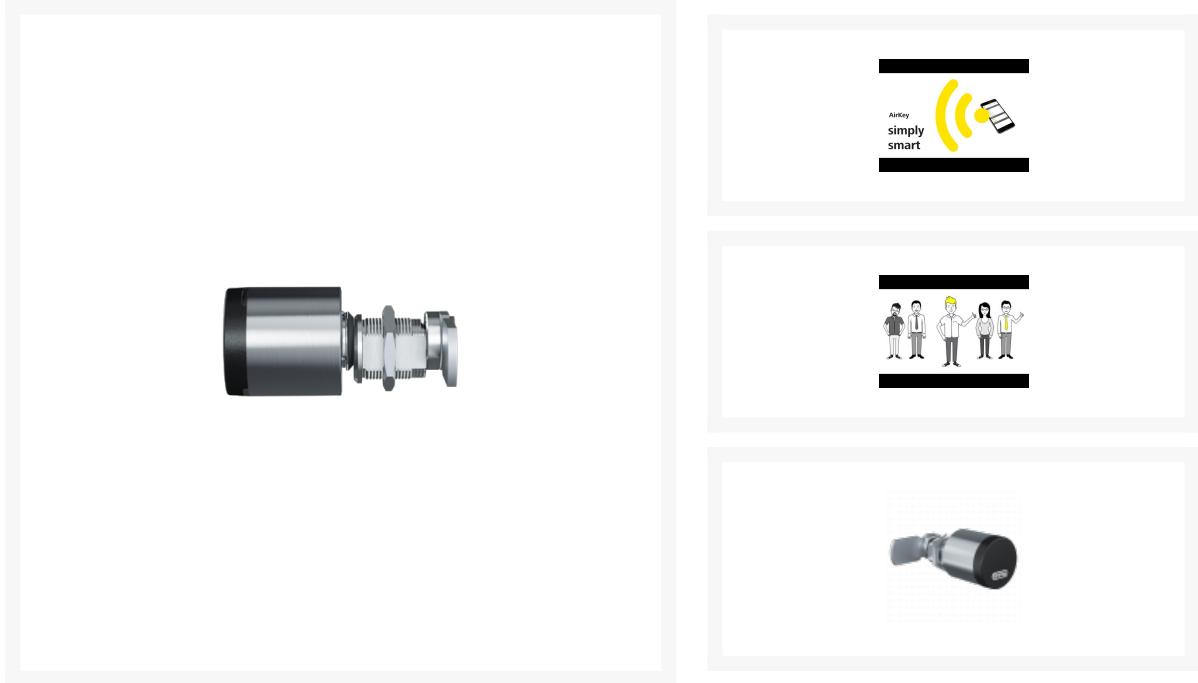




EVVA AirKey Proximity Cam Lock



Description

The EVVA AirKey Cam Lock is a perfect solution for both metal and wood applications, such as display cabinets. It is easy to install and is an ideal replacement for your standard cam lock. Access can be gained using your NFC-compatible smartphone (Android or iPhone), where keys can be easily sent using SMS text messages with push notification alerts, bluetooth, and also Evva AirKey key cards. It is rated to IP65 meaning that it is suitable for both indoor and outdoor use with a working temperature between -20°C and +55°C. The unit is CE certified and is supplied with 2 x CR2 batteries which provide long life for up to 30,000 cycles and are easily replaceable.



IP65 Ingress Protection Rating



Reversible Handing



Weather Resistant



Wireless Data Connection

Features

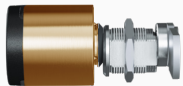
- Modular cylinder design allows for future adaptation
- Plug pulling resistant
- Easy to install
- Ideal for both metal and wood applications
- Open using your NFC-compatible mobile phone
- Weatherproof - IP65

Product Table



L31675

MB19 23mm Nickel Plated



L31676

MB19 23mm Polished Brass



L31677

MB27 27mm Nickel Plated



L31678

MB27 27mm Polished Brass